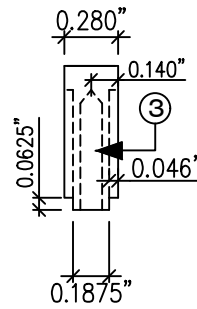
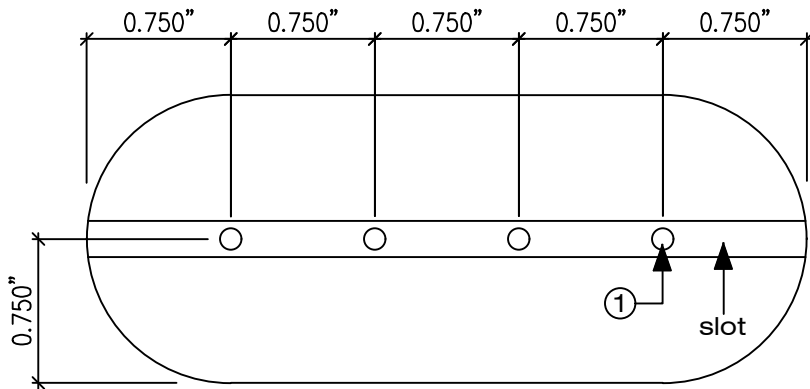


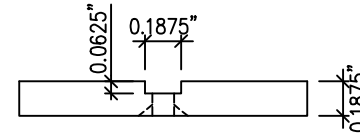
PULL FRONT



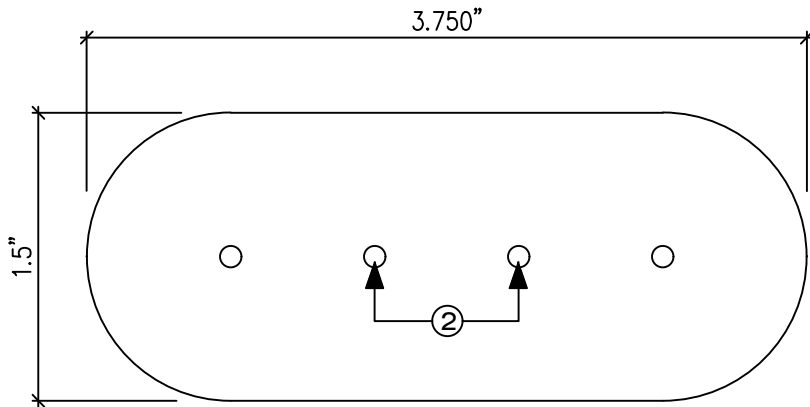
PULL SIDE



BASE TOP



BASE SIDE



BASE BOTTOM

NOTES

MATERIAL: SOLID BRASS

1. .138 DRILLED THROUGH HOLE X4
2. COUNTER SINK FOR # $\frac{6}{32}$ TAPERED HEAD MACHINE SCREW X2
3. $\frac{5}{8}$ " (.625) DEEP TAPPED HOLE FOR # $\frac{6}{32}$ MACHINE SCREW X4

Laura Burton Interiors

laura@lauraburtoninteriors.com
512.322.9888

OBLONG SLOT

DRAWN BY:
Finery

DATE:
06.28.2019

SCALE:
1'-0" = 1'-0"